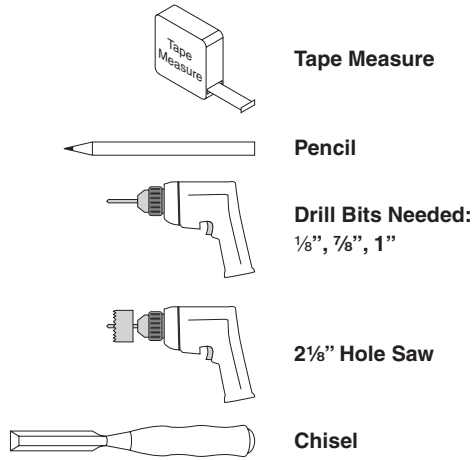




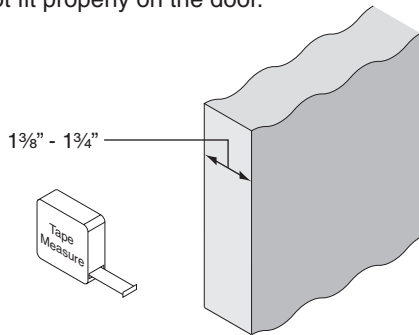
BE365 Door Preparation Instructions For Door With No Holes

Tools Needed

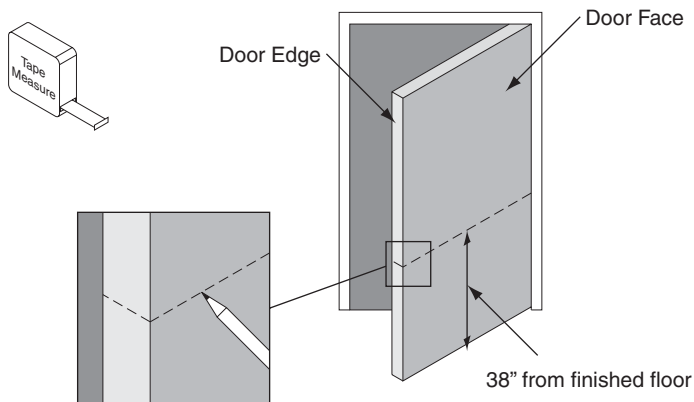


1 Measure Door Width

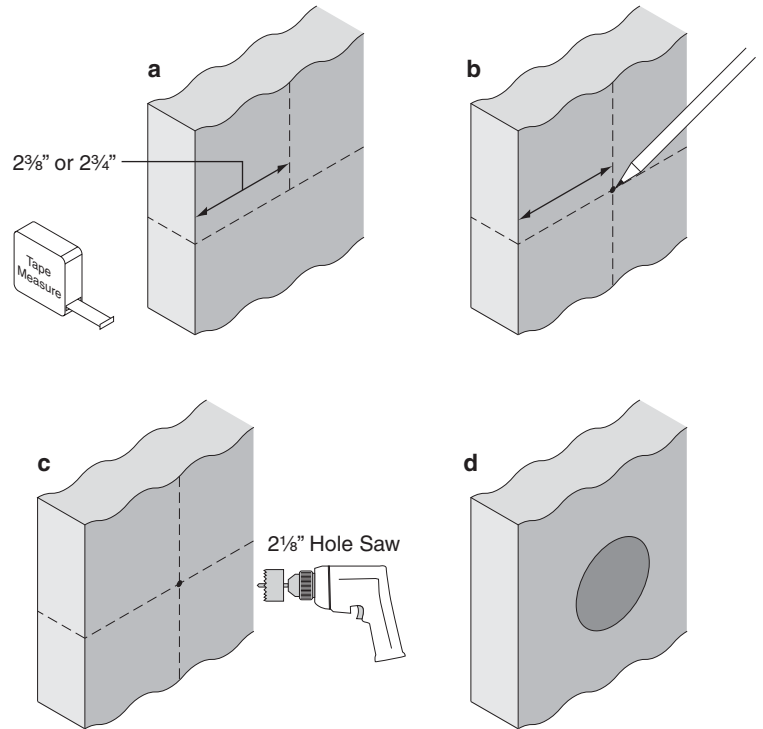
If the door is thinner than 1 3/8" or thicker than 1 3/4", then the lock will not fit properly on the door.



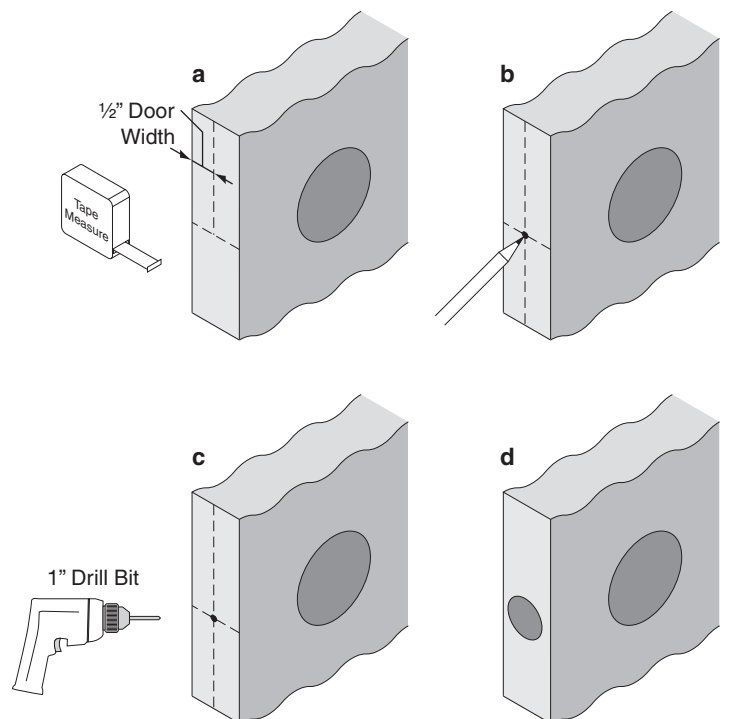
2 Mark Lock Centerline on Door Face and Door Edge



3 Mark and Drill Hole in Door Face with 2 1/8\" Hole Saw

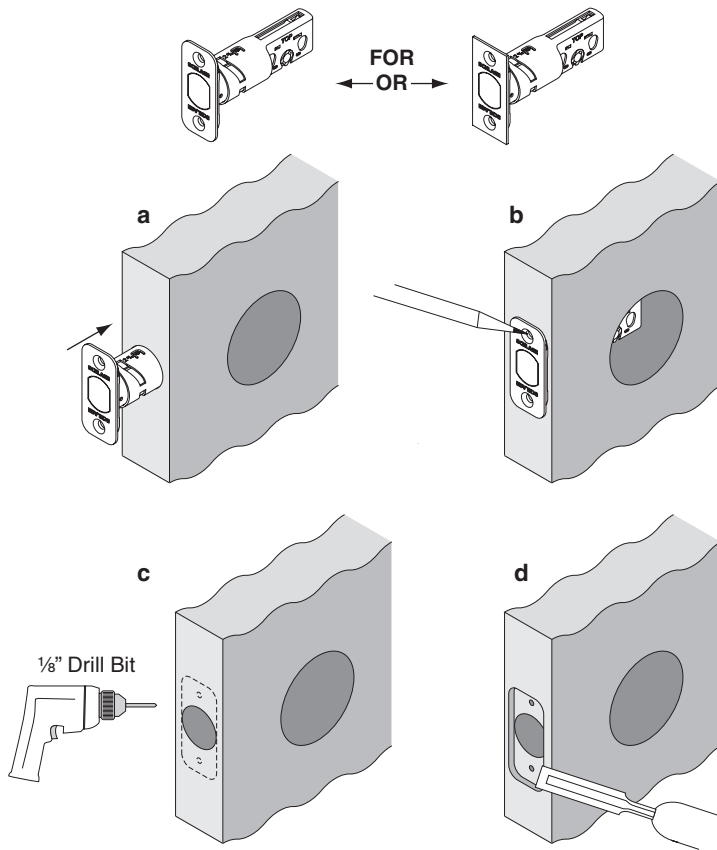


4 Mark and Drill Hole in Door Edge

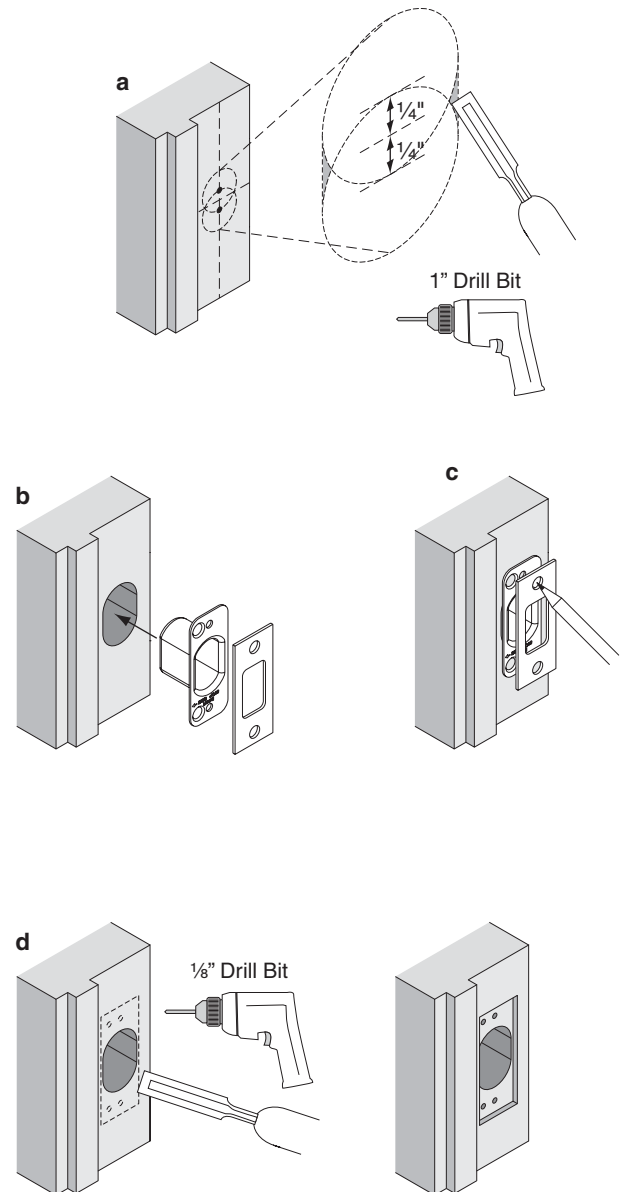


5**If Necessary, Mortise for Latch**

- Insert latch into door edge hole.
- Use pencil to trace latch and mark holes.
- Remove latch and drill two $\frac{1}{8}$ " pilot holes.
- Use chisel to create latch mortise.

**7****Mark and Drill Holes for Strike**

- Drill two (2) 1" holes, $\frac{1}{4}$ " deep, as shown. Chisel out excess material.
- Line up strike box and strike with hole in door jamb.
- Use pencil to trace strike and mark holes.
- Drill five (5) $\frac{1}{8}$ " pilot holes and use chisel to create strike mortise.

**6****Measure and Mark Door Jamb for Strike**

- Measure 38" from finished floor and mark on door jamb.
- Mark center for strike hole exactly opposite latch hole.

